

# MASTERVISION low budget panels

panel code	Junior paneel
part number	7-500-1000



### CAUTION

1. Lethal voltages exist on your vessel. Make sure all shore power, onboard generating sources and batteries are disconnected before beginning installation of your electrical panel.

**Note:**

This junior panel is front mounted and is not compatible with the MasterVision modular panel program.

### SPECIFICATIONS

description:	distribution panel
breaker type:	glass fuses 5*20mm
panel voltage:	10/30 V DC
dimensions panel (wxh):	120 x 130 mm
panel depth:	50 mm

### INSTALLATION INSTRUCTIONS

#### Install the panel

To install this individual module into a frame or bulkhead, secure the module in place and use 4 screws to fix this panel.

#### Making the labels

**Textlabel printing:**

To make labels you can use a word document or use our help tool on web-side:

[www.mastervolt.com/mastervision](http://www.mastervolt.com/mastervision)

Scroll down until you see:

the Junior panel text label printing

This tool will help you to make your own customized label for your junior panel.

#### To add the labels

**Textlabel:**

To add your self-made text label you lift up the top side of the layer and slide your text label from the top down into the front side of the panel.

#### Breakers

The fuses are the standard glass fuses 5\*20mm Available in any car or boat shop.

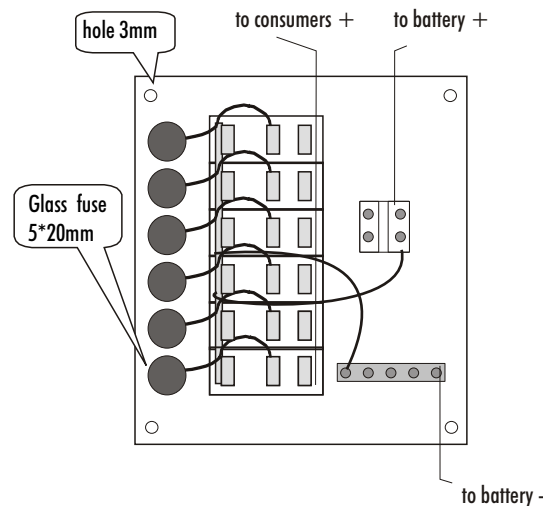
Make sure that the switch is on the off position while replacing the fuse.

Use a euro cent to turn the fuse holder open.

FRONT SIDE

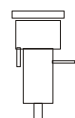


BACK SIDE



### BREAKER SPECIFICATIONS

Type:	Glassfuse 5*20mm
Max. current:	max. 10 Amp.
Part no.:	7-500-1000
Max. Voltage:	30 Volt dc



These products fully comply to the latest CE norms in force from Januari 1st 1996 and are produced to ISO 9001 standards.

ISO 9001 